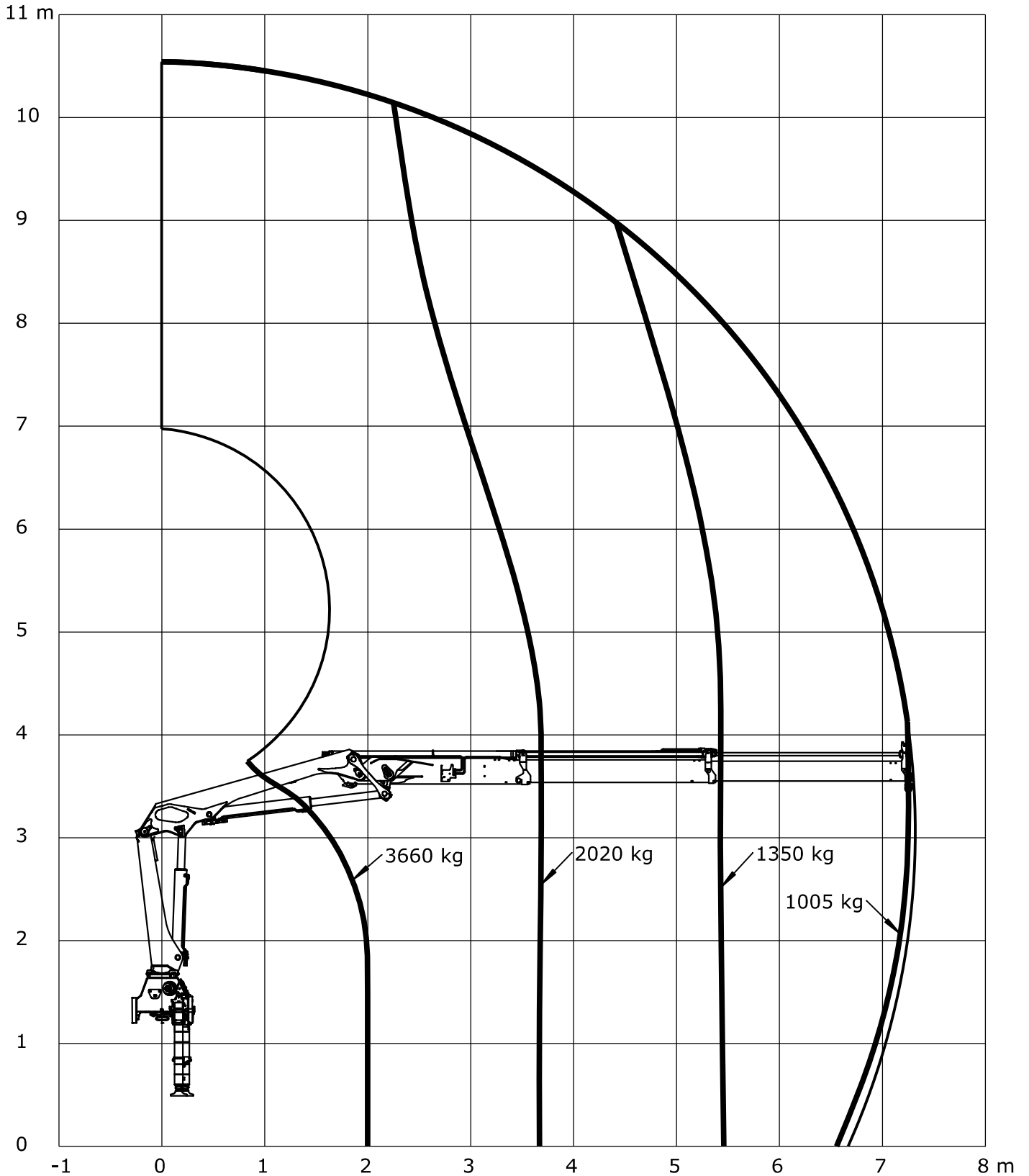


Lifting capacity diagram, K2

Catalogue no.	Section
31 121	222
Date	Page
12-04-2016	1 (1)



Loading group: EN12999 HC1 HD4/B3

